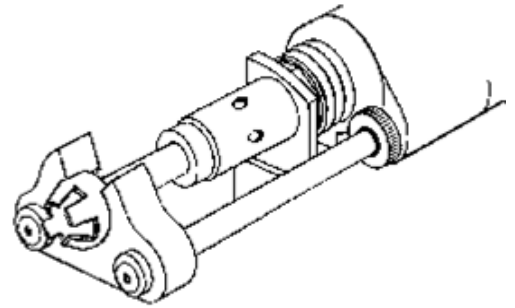


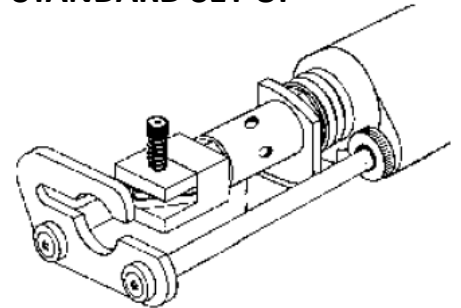
ARC GUN SETUP

Standard Set Up– Gun shown with chuck adaptor, arc chuck, split foot piece and ferrule grip.



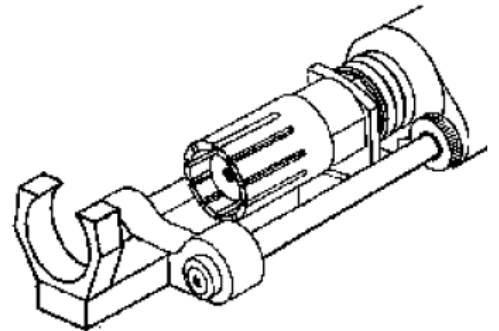
STANDARD SET UP

Refractory Set Up– Gun shown with chuck adaptor, y-anchor chuck and ferrule footplate.



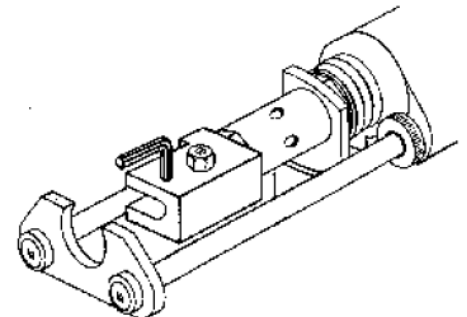
REFRACTORY SET UP

Shear Connector Set Up– Gun shown with shear connector chuck, weld thru deck foot, extension bar and ferrule grip.



SHEAR CONNECTOR SET UP

Bent Stud Set Up– Gun shown with chuck adaptor, bent stud chuck and twin ferrule footplate.



BENT STUD SET UP

800-458-9353

www.hybrocosales.com